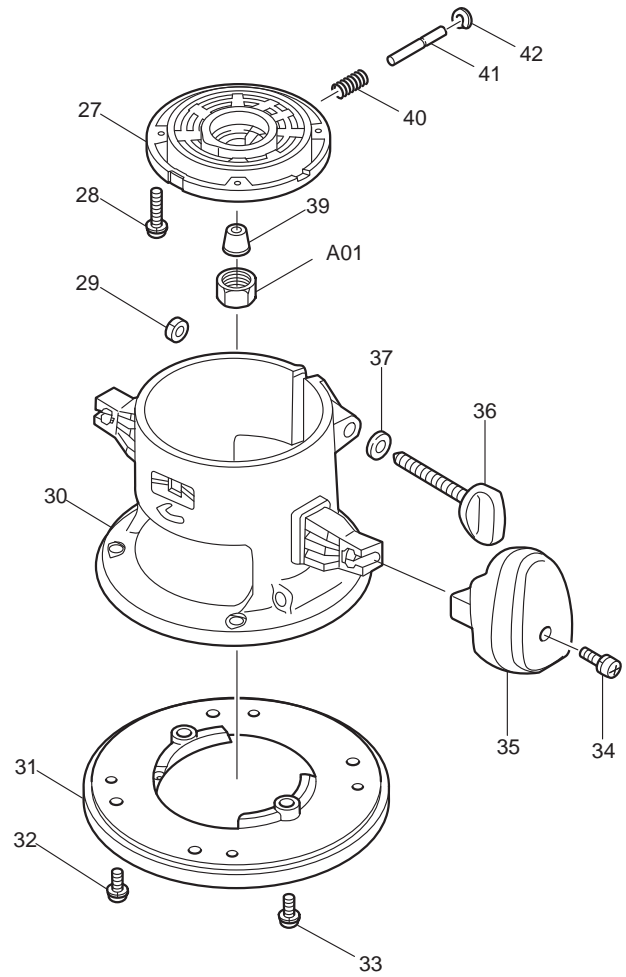
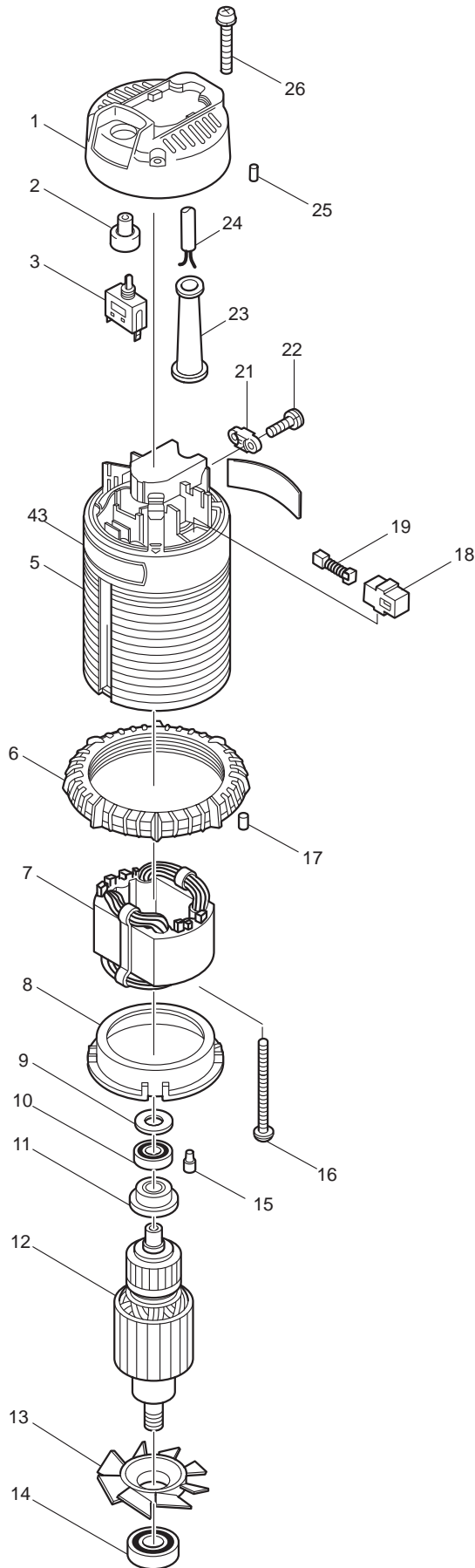




08 - 2010  
3606  
1/4" ROUTER



Item No	Type	Ref	Part No	Description	Qty	Unit
1			154380-7	REAR COVER COMPLETE	1	PC.
		INC.		Item No. 25		
2			652154-5	CAP	1	PC.
3	1		651403-7	SWITCH ST115A-31 - N/L/A	1	PC.
	2		651433-8	SWITCH ST115A-32	1	PC.
5			159816-1	* MOTOR HOUSING COMPLETE (TYPE2)	1	PC.
		INC.		Item No. 15		
6			154382-3	RING COMPLETE	1	PC.
		INC.		Item No. 17		
7			594061-5	FIELD ASS'Y 115V	1	PC.
		INC.		Item No. 103 (1 PC.)	1	PC.
8			414315-3	BAFFLE PLATE	1	PC.
9			253192-6	FLAT WASHER 14	1	PC.
10			211033-2	BALL BEARING 608LB	1	PC.
11			681625-5	INSULATION WASHER	1	PC.
12	1		516001-3	ARMATURE ASS'Y 115V	1	PC.
		INC.		Item No. 10,11,13,14		
	2		518643-9	ARMATURE ASS'Y 115V	1	PC.
		INC.		Item No. 10,11,13,14		
13			241627-9	FAN 66	1	PC.
14			211236-8	BALL BEARING 6002DDW	1	PC.
15			263014-2	RUBBER PIN 4	1	PC.
16			251353-2	+ PAN HEAD SCREW M5X60	2	PC.
17			263002-9	RUBBER PIN 4	1	PC.
18			643605-9	BRUSH HOLDER	2	PC.
19	1		181437-1	CARBON BRUSH CB-107 2PC/SET (W/O ORIGIN)	1	SET
	2		194977-0	CARBON BRUSH CB-107 2PC/SET (W/ ORIGIN)	1	SET
21			687063-9	* STRAIN RELIEF	1	PC.
22			265995-6	* TAPPING SCREW 4X18 (TYPE2)	2	PC.
23			682502-4	CORD GUARD 8-85	1	PC.
24			664064-4	CORD W/PLUG 2P-18-2.5M, SJ	1	PC.
25			263002-9	RUBBER PIN 4	2	PC.
26			266053-1	* TAPPING SCREW 4X35 (TYPE2)	4	PC.
27			316107-5	MOTOR BRACKET	1	PC.
28			911136-9	PAN HEAD SCREW M4X20	4	PC.
29			931302-2	HEX. NUT M6	1	PC.
30			414317-9	BASE	1	PC.
31			411473-6	BASE PLATE	1	PC.
32			911207-2	PAN HEAD SCREW M5X10 (OLD# 911202-2)	4	PC.
33			911206-4	PAN HEAD SCREW M5X10 (OLD# 911211-1)	2	PC.
34			911323-0	PAN HEAD SCREW M6X16	2	PC.
35			414319-5	KNOB	2	PC.
36			251870-2	SCREW M6X50	1	PC.
37			941151-9	FLAT WASHER 6	1	PC.
38			763606-2	COLLET NUT 6	1	PC.
40			231464-9	COMPRESSION SPRING 5	1	PC.
41			256190-9	PIN 5	1	PC.
42			961017-7	STOP RING E-3	1	PC.
43			819063-3	MAKITA LABEL	1	PC.
101			652250-9	CLAMP WASHER	2	PC.
102			652008-6	P.H. SCREW M3.5 X 7	2	PC.
103	1		654038-3	INSULATED TERMINAL FK1.25-M4 (TYPE1)	2	PC.
	2		654037-5	INSULATED TERMINAL FT1.25-M3 (TYPE2)	2	PC.

Item No	Type	Ref	Part No	Description	Qty	Unit
200			924311-8	T. SCREW M6 X 12	2	PC.
210			163263-0	ROLL	1	PC.
211			251879-4	SCREW	1	PC.
212			312038-6	TRIMMER GUIDE HOLDER	1	PC.
213			342427-1	PLATE HOLDER	1	PC.
214			923211-9	C.S.N. BOLT M5 X 12	1	PC.
215			924316-8	T. SCREW M6 X 15	1	PC.
216			924346-9	T. SCREW M6 X 30 TYPE 2	2	PC.
217			934201-7	WING NUT M5	1	PC.
219			942101-7	SPRING WASHER 5	1	PC.
220			942151-2	SPRING WASHER 6	3	PC.

**ACCESSORIES**

- See catalogue or visit [www.makita.ca](http://www.makita.ca) for more optional accessories -

A01			763608-8	COLLET CONE 1/4"	1	PC.
A02			781008-0	WRENCH 17	1	PC.
A03			-----	TEMPLET GUIDE (See Catalogue for details)	1	PC.
A04			123058-3	STRAIGHT GUIDE	1	PC.
	INC.			Item No. 200	1	PC.
A05			122343-1	TRIMMER GUIDE ASSY	1	PC.
	INC.			Item No. 210 - 220	1	PC.
A06			252627-4	NUT M30 (With Item No. A07 and A08)	1	PC.
A07			321492-3	TEMPLET GUIDE ADAPTR	1	PC.
A08			-----	TEMPLET GUIDE (See Catalogue for details) (with Item No. A06 and A07)	1	PC.
A09			-----	ROUTER BIT (See Catalogue for details)	1	PC.
A10			P-80007	VACUUM HEAD SET	1	PC.
A11			192279-8	HOSE 1" DIA.X9.6FT	1	PC.

## SERVICE CHANGES

### 1. Changes on Motor Housing Com., Strain Relief and Screws.

Item No.	Description	Type 1	Type 2
5	Motor Housing Com.	159037-5 (N/L/A)	159816-1
21	Strain Relief	687002-9	687063-9
22	Screw	911133-5	265995-6
26	Screw	911163-6	266053-1
Serial No.(MCA Production)		----	1001~

Above parts are completely interchangeable as a set.

